

VACUUM TOILET

6543418 EVAC 910, WALL MODEL, PRESTIGE SILENT, WHITE

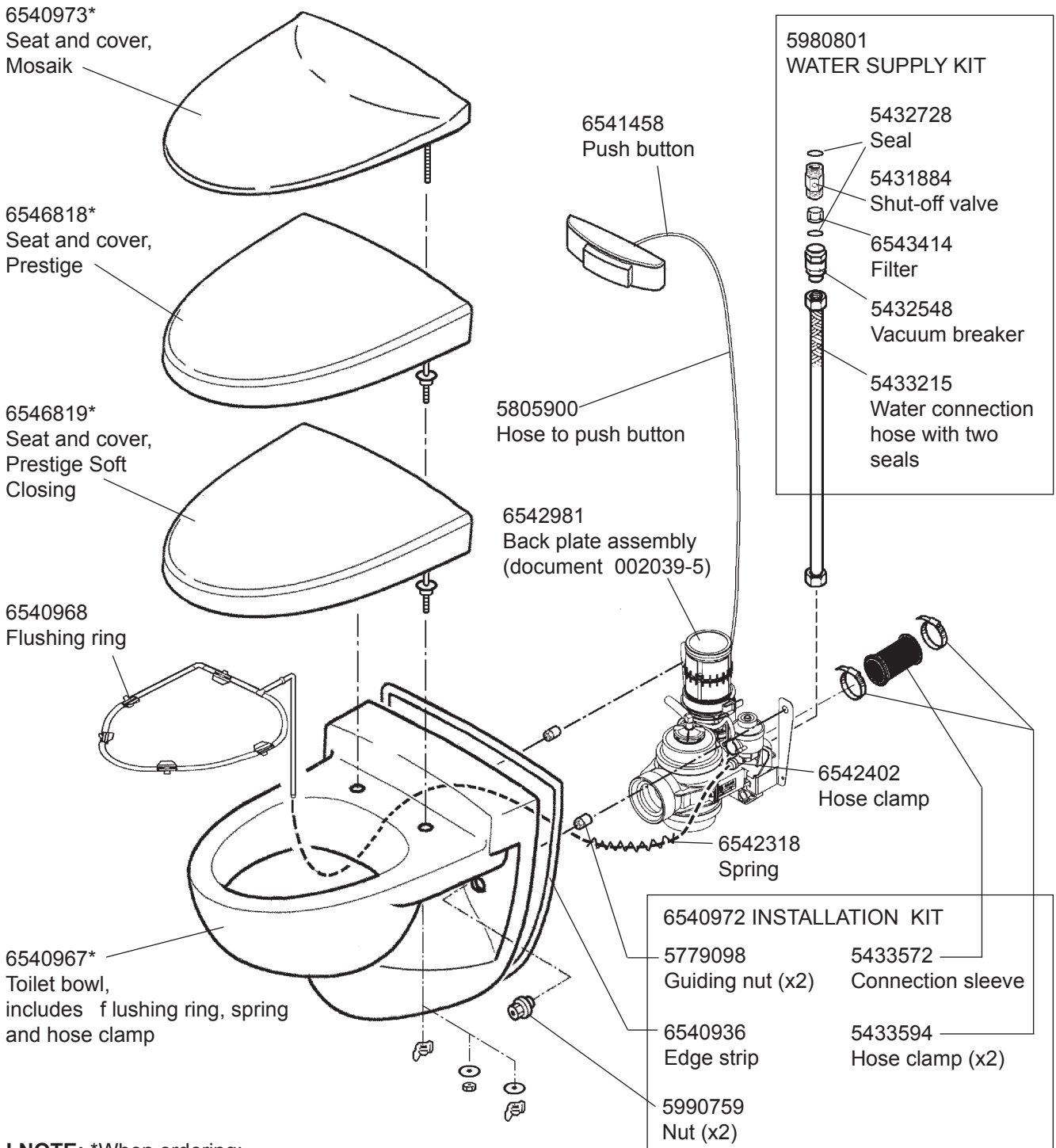
6543419 EVAC 910, WALL MODEL, MOSAIK, WHITE

6547226 EVAC 910, WALL MODEL, PRESTIGE SOFT CLOSING

P/N 6543418 includes Prestige seat and cover (P/N 6546818)

P/N 6543419 includes Mosaik seat and cover (P/N 6540973)

P/N 6547226 includes Prestige Soft Closing seat and cover (P/N 6546819)



! NOTE: *When ordering:
Toilet bowl - state type and standard colour
Seat and cover - state type and standard colour

VACUUM TOILET

6543420 EVAC 910, WALL MODEL USPH, PRESTIGE SILENT

6543421 EVAC 910, WALL MODEL USPH, MOSAIK

6544766 EVAC 910, WALL MODEL USPH, OPEN FRONT

6547227 EVAC 910, WALL MODEL USPH, PRESTIGE SOFT CLOSING

P/N 6543420 includes Prestige seat and cover (P/N 6546818)

P/N 6543421 includes Mosaik seat and cover (P/N 6540973)

P/N 6544766 includes Open front seat and cover (P/N 5441801)

P/N 6547227 includes Prestige Soft Closing seat and cover (P/N 6546819)

6540973*

Seat and cover,
Mosaik

6546818*

Seat and cover,
Prestige

6546819*

Seat and cover,
Prestige Soft
Closing

5441801*

Seat and cover,
Open front

6541458

Pneumatic push button

5805900

Hose to push button

6542982

Back plate
(doc. 002039-5)

6540968

Flushing
ring

6540967*

Toilet bowl,
includes flushing ring,
spring and hose clamp

6542318
Spring

6542402

Hose clamp

6540972 INSTALLATION KIT

5779098
Guiding nut (x2)

6540936
Edge strip

5990759
Nut (x2)

6541772
WATER SUPPLY KIT
(document 6:01024J)

Shut-off valve

Connection
hose with
seals

Vacuum
breaker
USPH

! NOTE: *When ordering:

Toilet bowl - state type and standard colour

Seat and cover - state type and standard colour

VACUUM TOILET

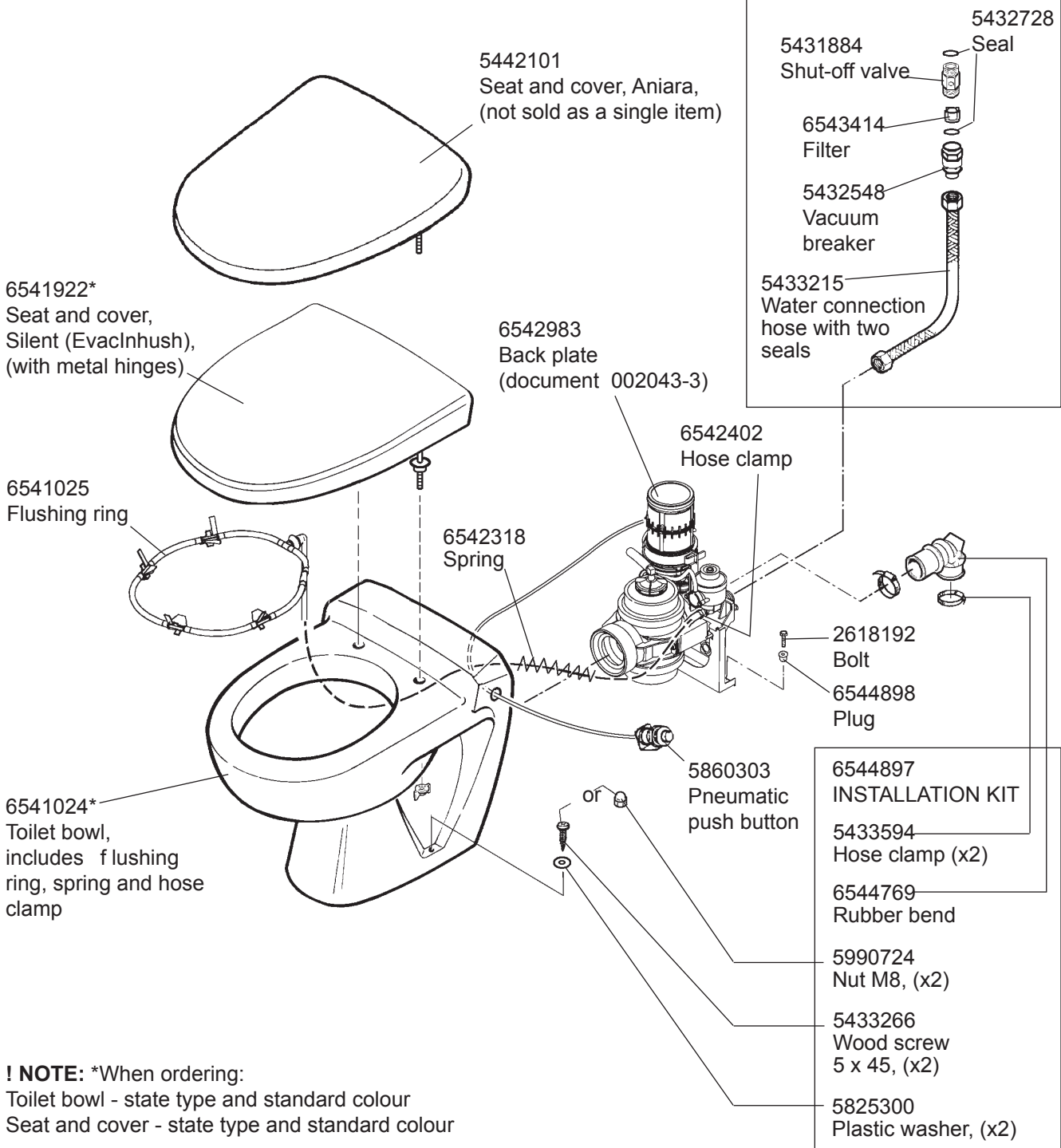
6543422 EVAC 910, FLOOR MODEL, SILENT (EVACINHUSH), (not sold as a single item)
 6543423 EVAC 910, FLOOR MODEL, ANIARA, (not sold as a single item)

P/N 6543422 is replaced by P/N 6545825
 P/N 6543423 is replaced by P/N 6545826

P/N 5442101 is replaced by P/N 6542432

See recommended spare part kits in spare part document:
 Doc no. 001923-4 Water valve

P/N 6543422 includes Silent (EvacInhush) seat and cover (P/N 6541922)
 P/N 6543423 includes Aniara seat and cover (P/N 5442101)



! NOTE: *When ordering:
 Toilet bowl - state type and standard colour
 Seat and cover - state type and standard colour

VACUUM TOILET

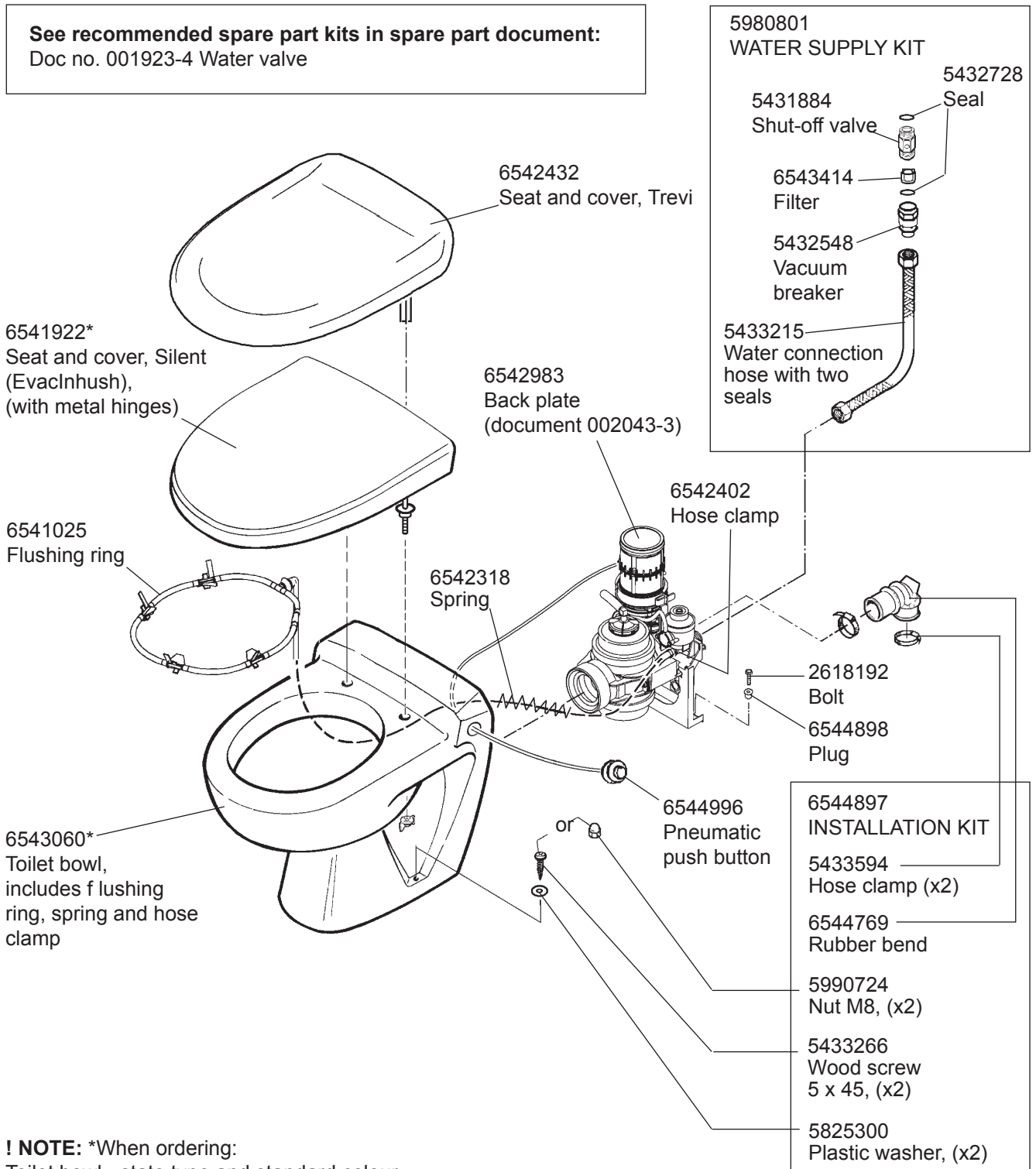
6545825 EVAC 910, FLOOR MODEL, SILENT (EVACINHUSH)

6545826 EVAC 910, FLOOR MODEL, TREVI

P/N 6545825 includes Silent (EvacInhush) seat and cover (P/N 6541922)

P/N 6545826 includes Trevi seat and cover (P/N 6542432)

See recommended spare part kits in spare part document:
Doc no. 001923-4 Water valve



! NOTE: *When ordering:
Toilet bowl - state type and standard colour
Seat and cover - state type and standard colour

VACUUM TOILET

6543424 EVAC 910, FLOOR MODEL USPH, SILENT (EVACINHUSH), (not sold as a single item)

6543425 EVAC 910, FLOOR MODEL USPH, ANIARA, (not sold as a single item)

6544797 EVAC 910, FLOOR MODEL USPH, OPEN FRONT, (not sold as a single item)

P/N 6543424 is replaced by P/N 6545827

P/N 6543425 is replaced by P/N 6545828

P/N 6544797 is replaced by P/N 6545829

P/N 5442101 is replaced by P/N 6542432

P/N 6543424 includes

Silent (EvacInhush) seat and cover (P/N 6541922)

P/N 6543425 includes Aniara seat and cover (P/N 5442101)

P/N 6544797 includes

Open front seat and cover (P/N 5441801)

5442101
Seat and cover,
Aniara
(not sold as
a single item)

6541922*
Seat and cover,
Silent(EvacInhush),
with metal hinges

5441801
Seat and cover,
Open front

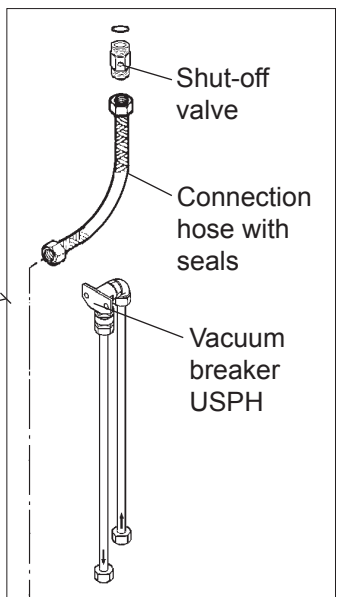
6541025
Flushing ring

6541024
Toilet bowl,
includes f flushing ring,
spring and hose clamp

**See recommended part kits
in spare part document:
Doc no. 001923-4 Water valve**

5980802
WATER SUPPLY KIT
(doc. 6:01024J)

6542984
Back plate
(doc. 002043-3)



6542402
Hose clamp

2618192
Bolt
6544898
Plug

6542318
Spring

5860303
Pneumatic push button

**6544897
INSTALLATION KIT**

5990724
Nut M8, (x2)

5433594
Hose clamp

5433266
Wood screw
5x45, (x2)

6544769
Rubber bend

5825300
Plastic washer, (x2)

! NOTE: *When ordering:
Toilet bowl - state type and standard colour
Seat and cover - state type and standard colour

VACUUM TOILET

6545827 EVAC 910, FLOOR MODEL USPH, SILENT (EVACINHUSH)

6545828 EVAC 910, FLOOR MODEL USPH, TREVI

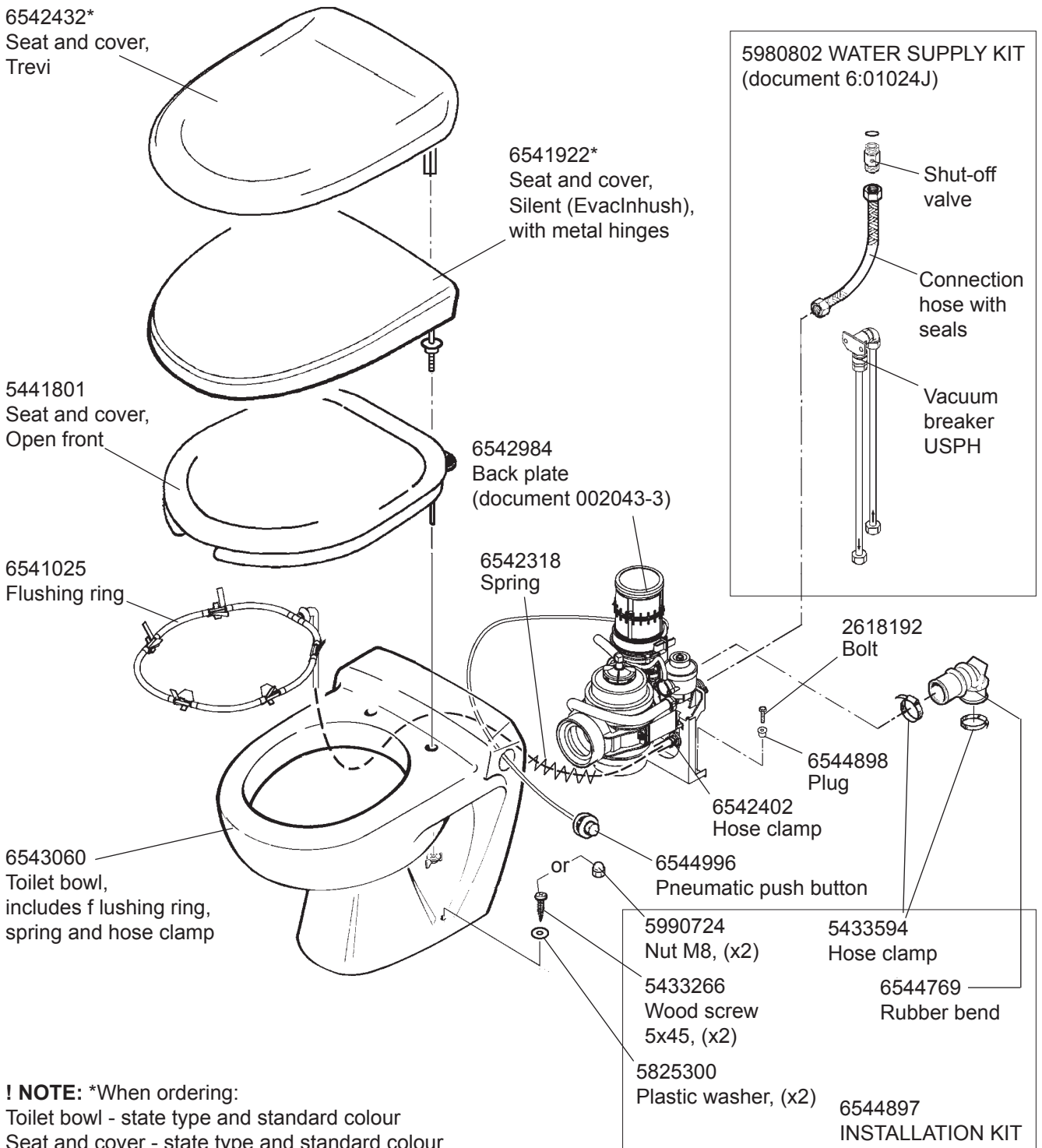
6545829 EVAC 910, FLOOR MODEL USPH, OPEN FRONT

P/N 6545827 includes Silent (EvacInhush) seat and cover (P/N 6541922)

P/N 6545828 includes Trevi seat and cover (P/N 6542432)

P/N 6545829 includes Open front seat and cover (P/N 5441801)

See recommended part kits in spare part document:
Doc no. 001923-2 Water valve

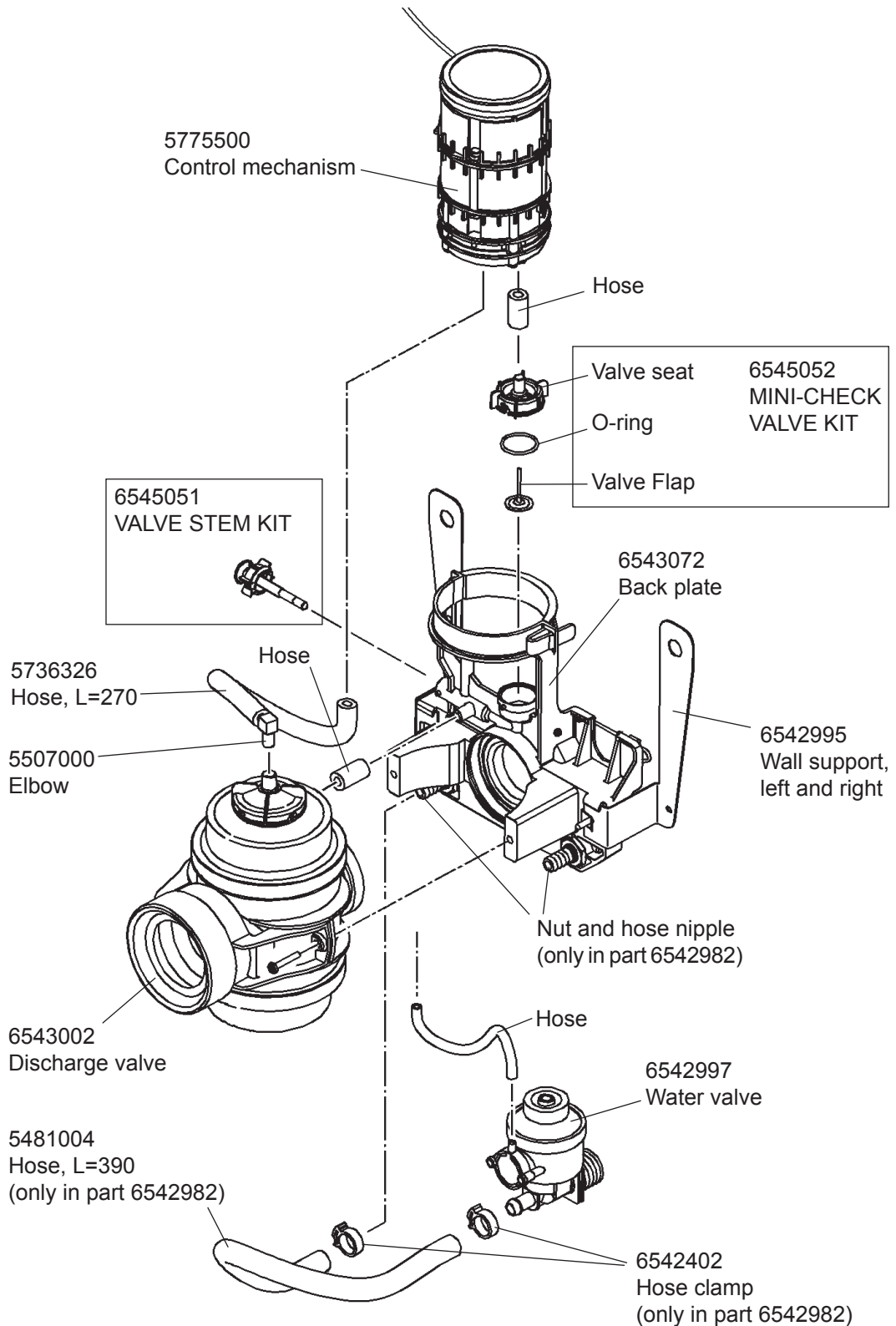


! NOTE: *When ordering:
Toilet bowl - state type and standard colour
Seat and cover - state type and standard colour

VACUUM TOILET

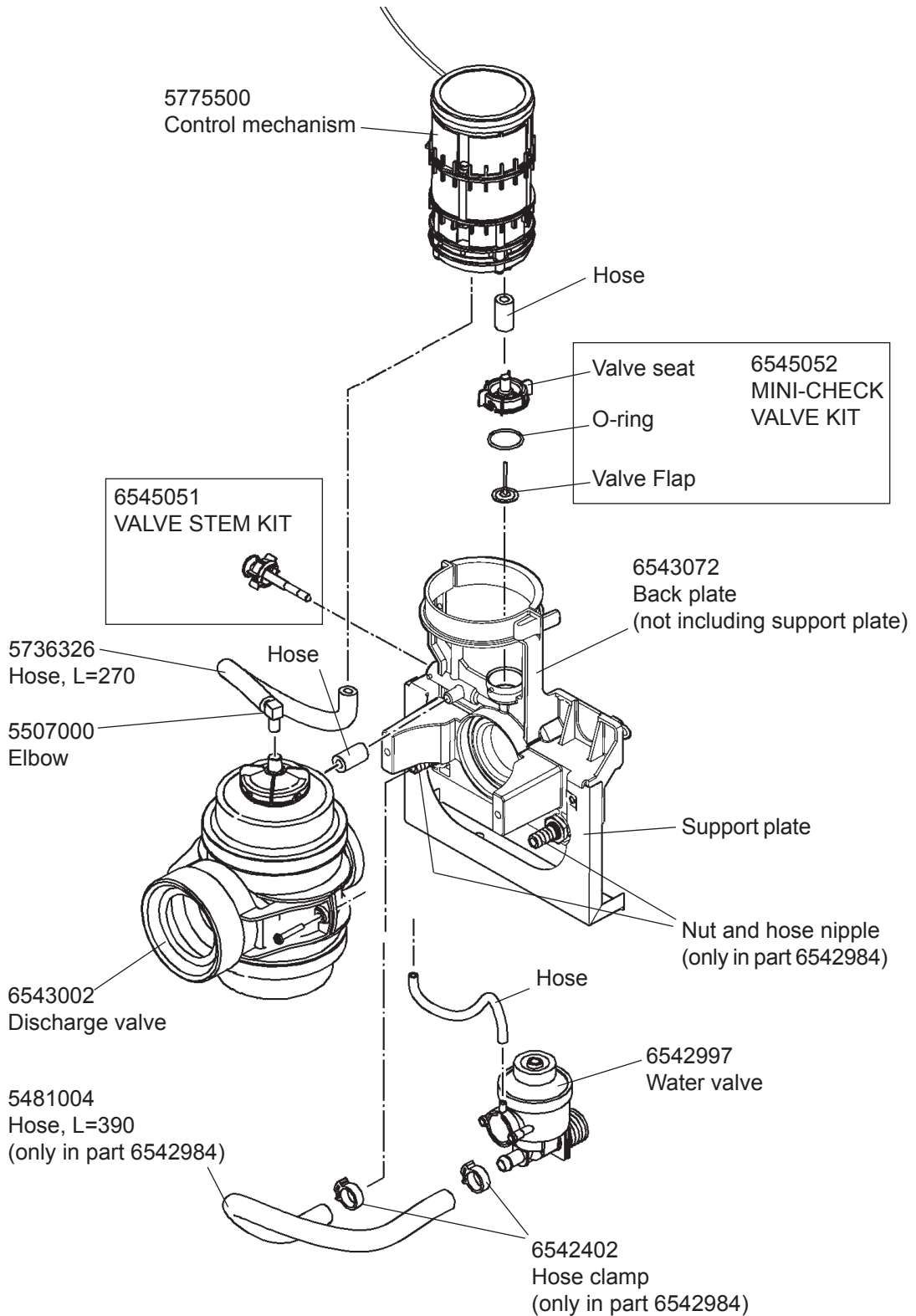
6542981 BACK PLATE ASSEMBLY, EVAC 910, WALL MODELS

6542982 BACK PLATE ASSEMBLY, EVAC 910, WALL MODELS USPH



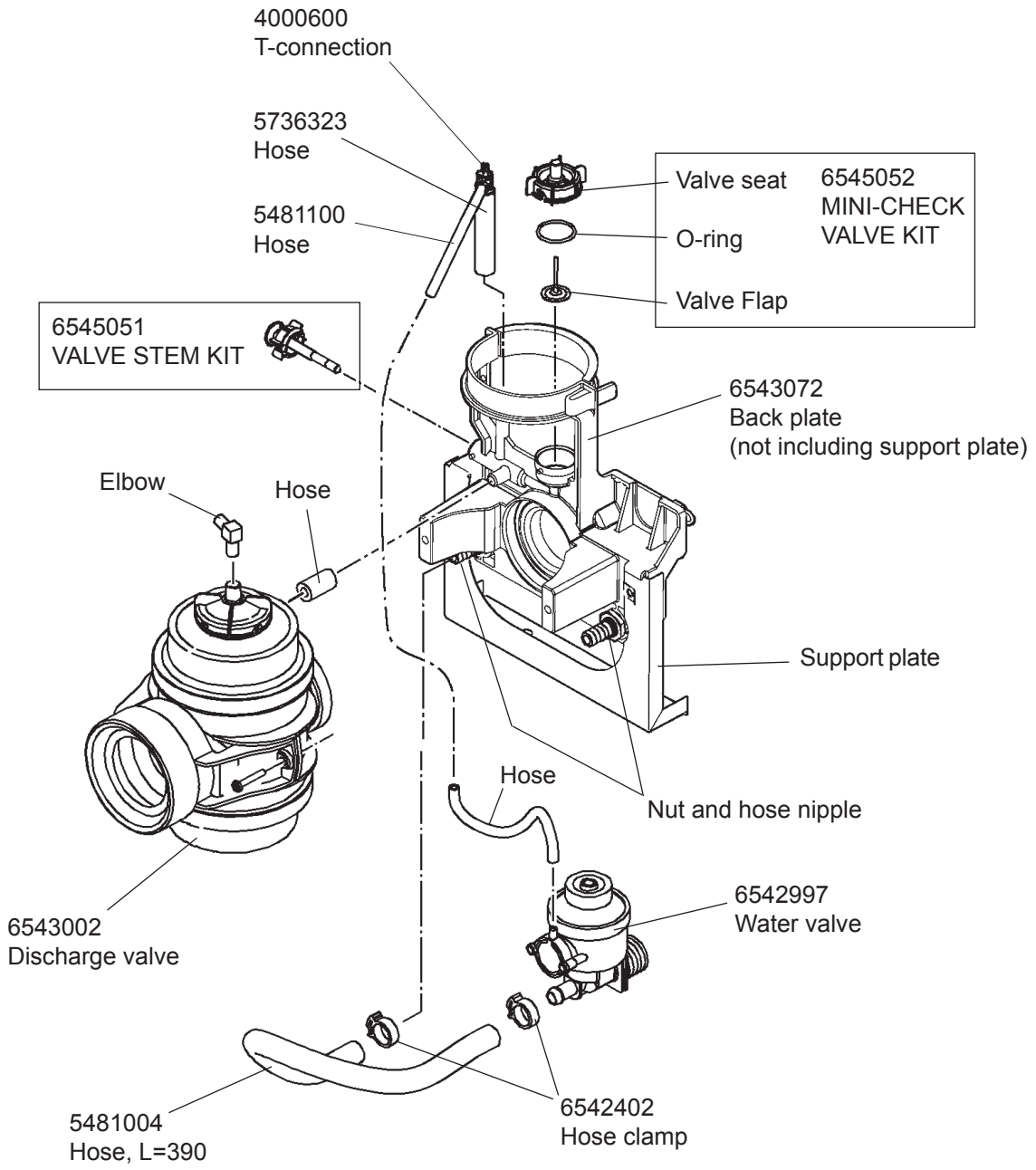
VACUUM TOILET

6542983 BACK PLATE, EVAC 910, FLOOR MODELS
 6542984 BACK PLATE, EVAC 910, FLOOR MODELS USPH



VACUUM TOILET

6545300 BACK PLATE, EVAC 910, FLOOR MODEL USPH WITH AUTOFLUSH UNIT

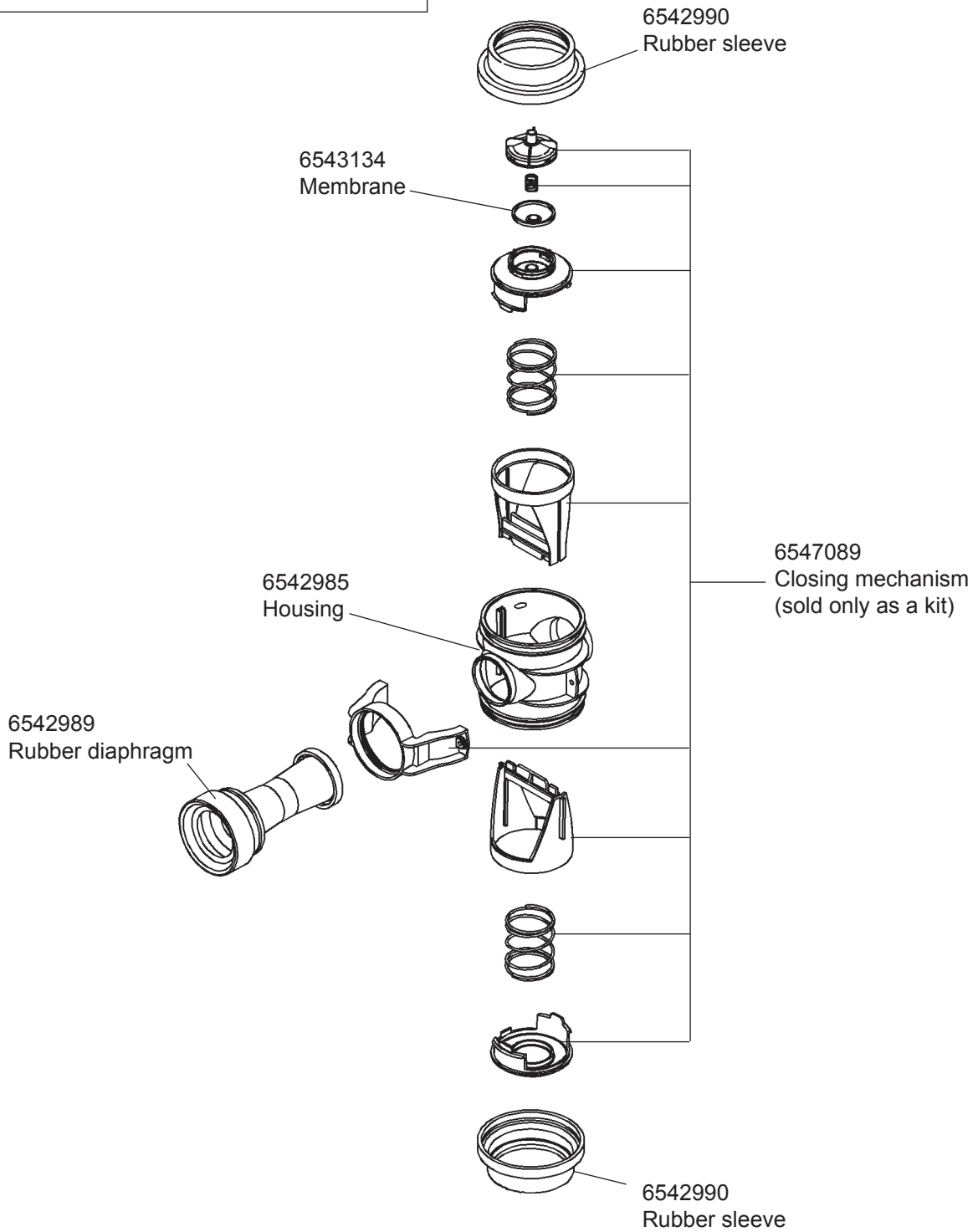


VACUUM TOILET

6543002 DISCHARGE VALVE

6545041 RECOMMENDED SPARE PART KIT:

- 1 x 6542989 Rubber diaphragm
- 2 x 6542990 Rubber sleeve
- 1 x 6543134 Membrane

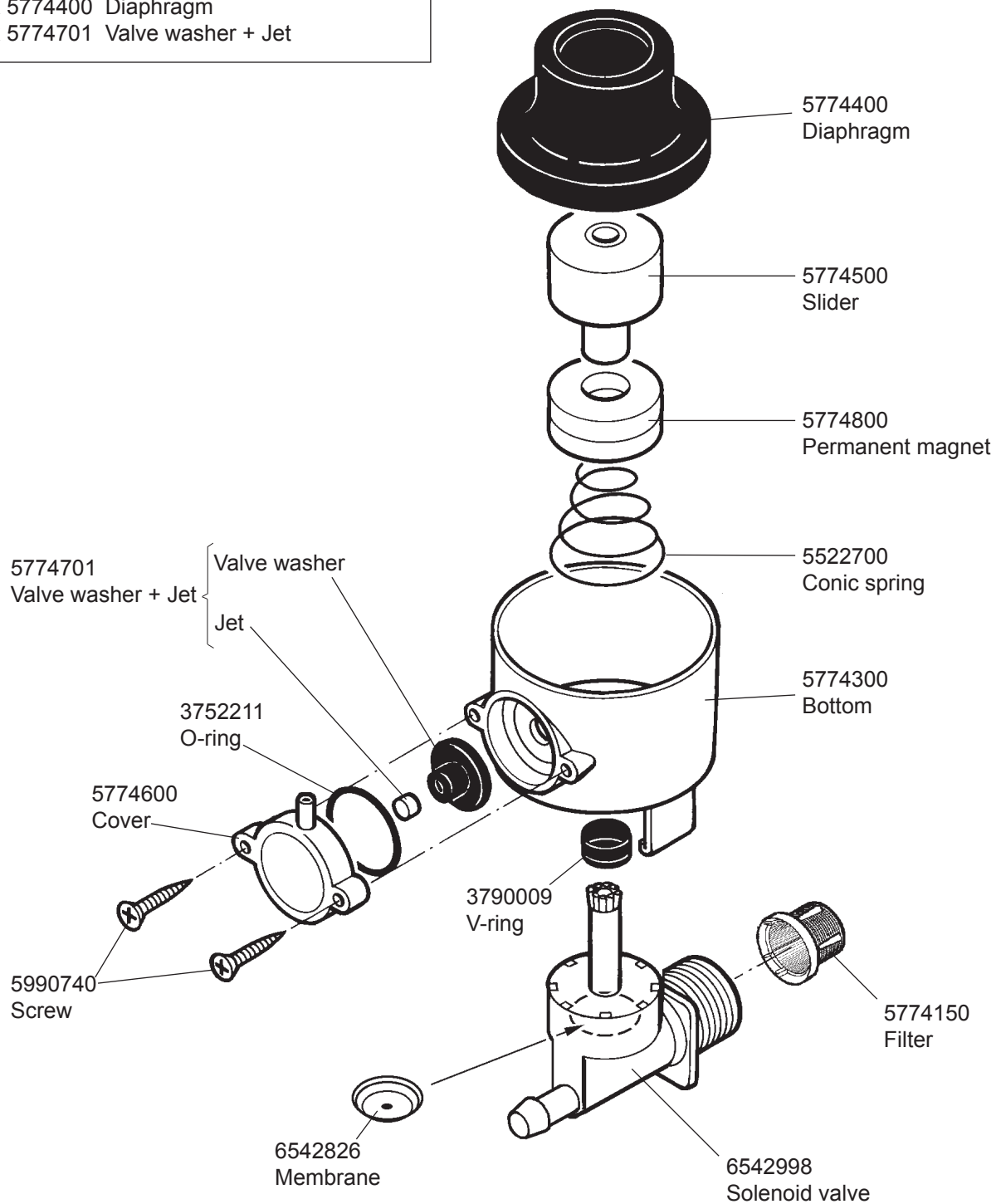


VACUUM TOILET

6542997 WATER VALVE

6543030 RECOMMENDED SPARE PART KIT:

- 1 x 3790009 V-ring
- 1 x 5774150 Filter
- 1 x 5774400 Diaphragm
- 1 x 5774701 Valve washer + Jet



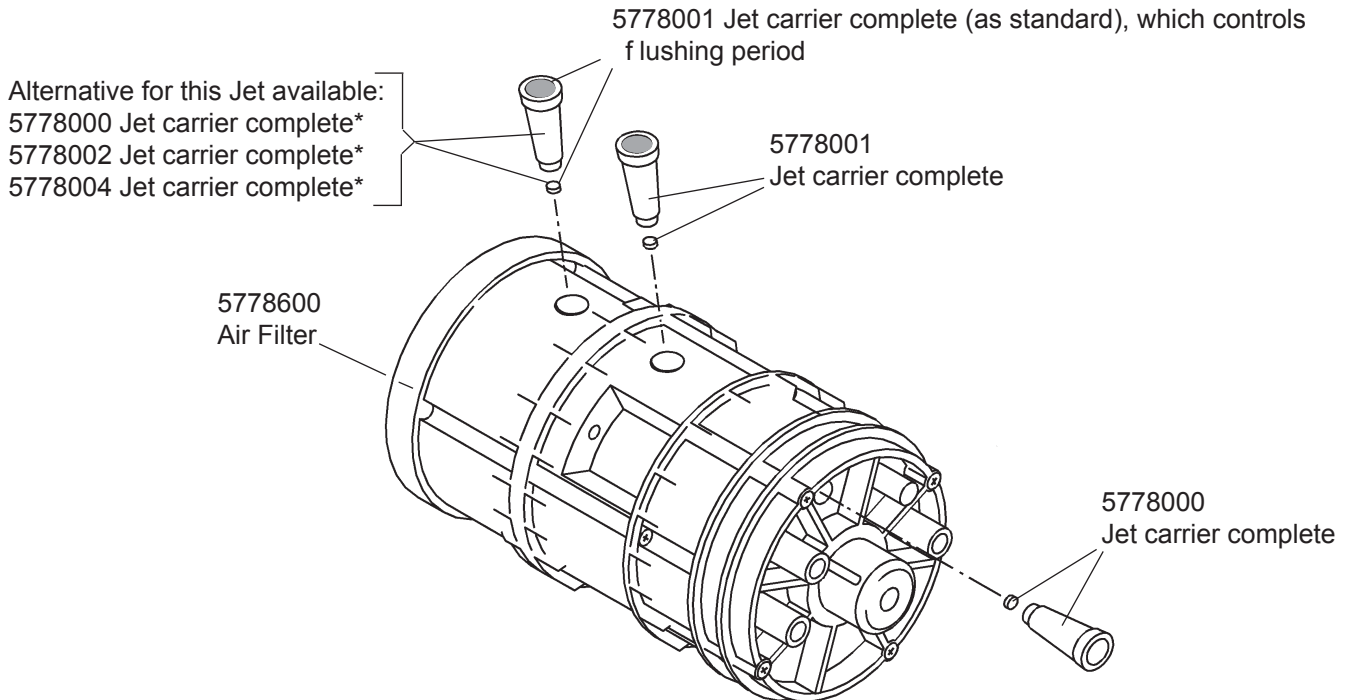
VACUUM TOILET

5775500 CONTROL MECHANISM

5881000 SPARE PART KIT FOR CONTROL MECHANISM (EVAC 90 AND 900 MODEL TOILETS)

6546688 SPARE PART KIT FOR CONTROL MECHANISM (EVAC 910 MODEL TOILETS, STAINLESS STEEL TOILET)

P/N 5775500 Control mechanism



*Jet Carrier identification:

P/N	Colour	Size	Effect
5778004	Yellow	0.20	Extra long Flushing period
5778000	White	0.30	Long Flushing period
5778001	Blue	0.40	Normal Flushing period
5778002	Red	0.50	Short Flushing period

! NOTE: See also the operation and maintenance documents:

Doc.no 3:111D, Control mechanism (Evac 90 and 900 model toilets)

Doc.no 002032-2, Control mechanism (Evac 910 model toilets)

Doc.no 002474-2, Control mechanism (Evac 910 Stainless steel toilets)

P/N 5881000 Spare part kit (Evac 90 and 900 model toilets)

P/N	Description	Pcs
5778600	Air Filter	1
5778001	Jet carrier complete	2
5778000	Jet carrier complete	1
5778700	Filter	1
5959902	Mini-check valve	1

P/N 6546688 Spare part kit (Evac 910 model toilets)

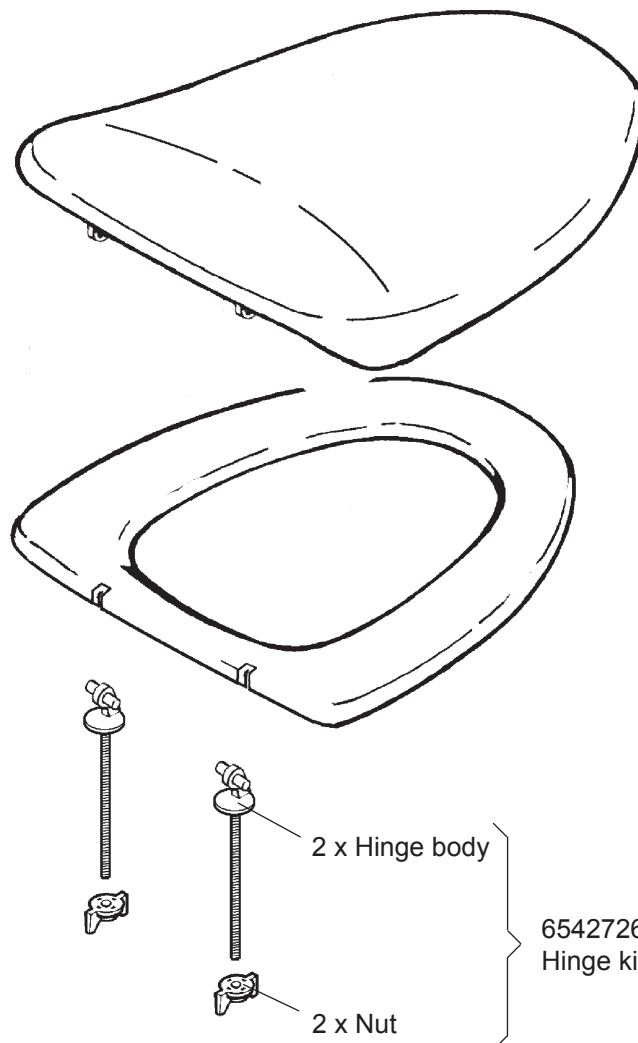
P/N	Description	Pcs
5778600	Air Filter	1
5778001	Jet carrier complete	2
5778000	Jet carrier complete	1
5778700	Filter	1
6545052	Mini-check valve kit	1

VACUUM TOILET

6540973 SEAT AND COVER, MOSAIK, EVAC 900 AND EVAC 910, WALL MODEL

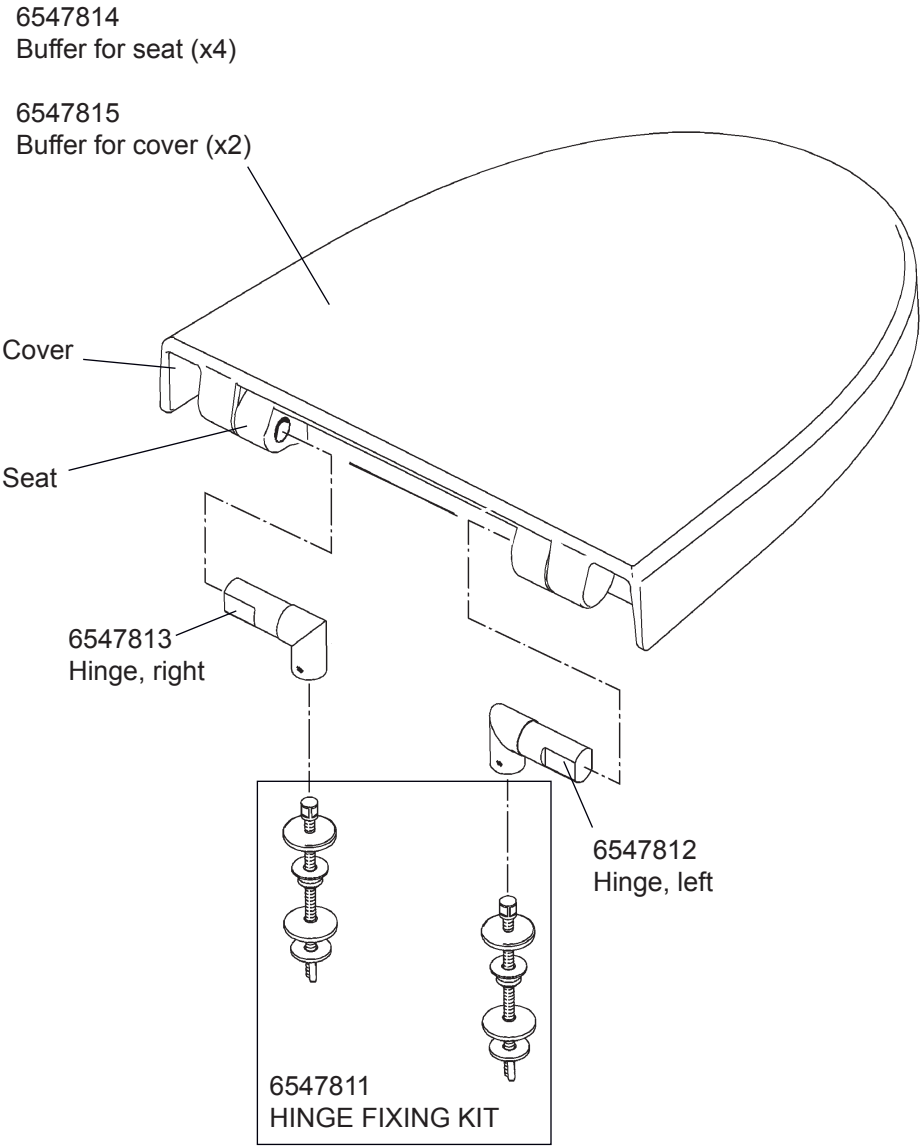
! NOTE; When ordering: Seat and cover -state type and colour.

! NOTE: "Seat and cover" sold as a single item.



VACUUM TOILET

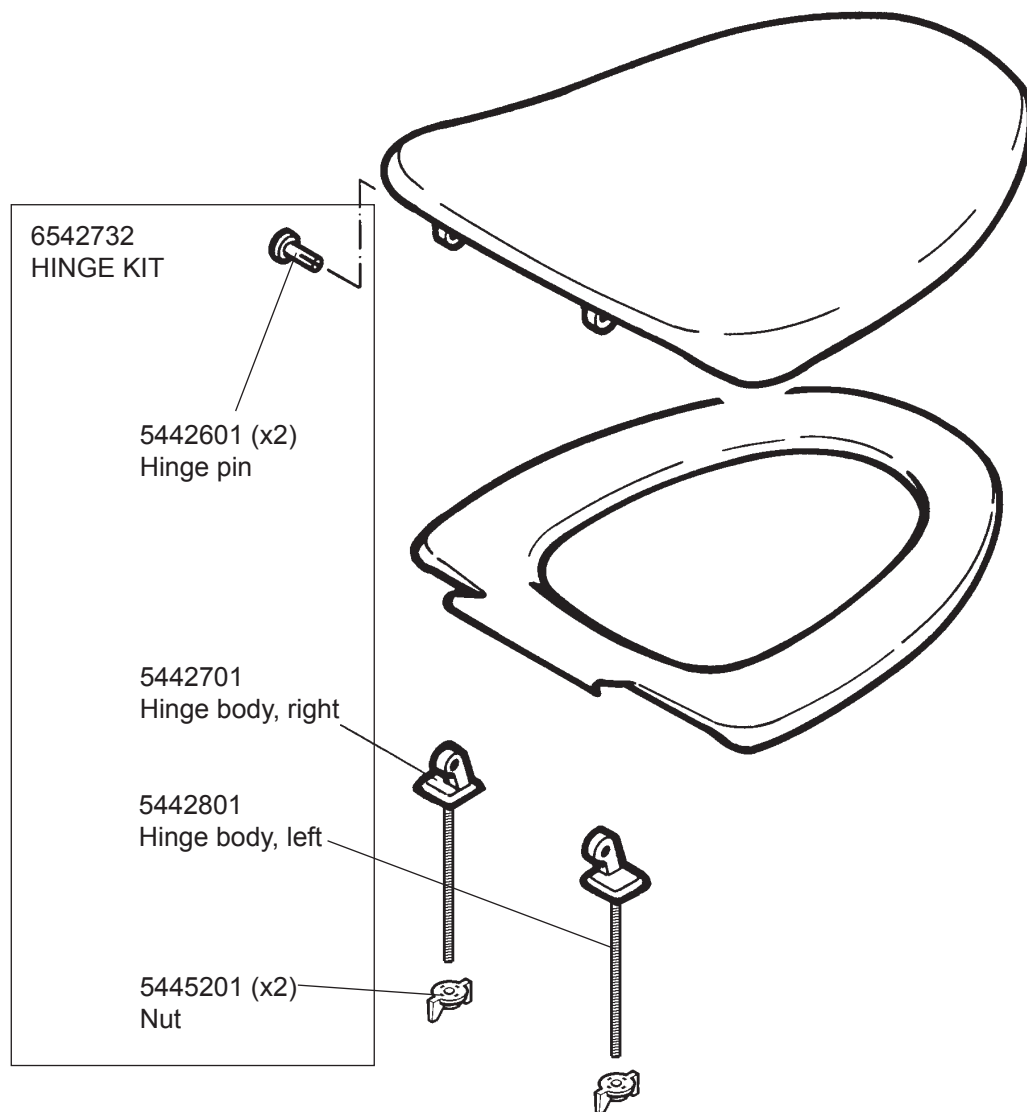
6546819 SEAT AND COVER, PRESTIGE SOFT CLOSING



VACUUM TOILET

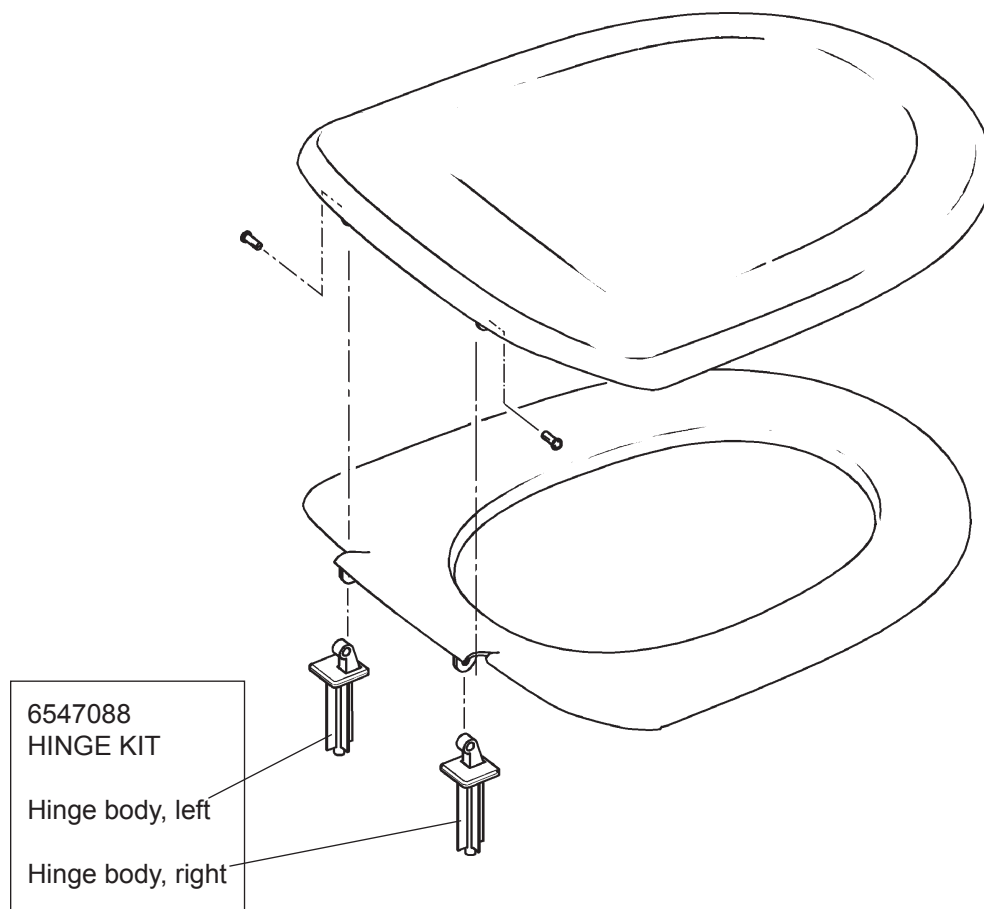
5442101 SEAT AND COVER, ANIARA FOR EVAC 90 WALL AND FLOOR MODELS, EVAC 900 AND EVAC 910 FLOOR MODELS, (not sold as a single item)

P/N 5442101 is replaced by P/N 6542432



VACUUM TOILET

6542432 SEAT AND COVER, TREVI



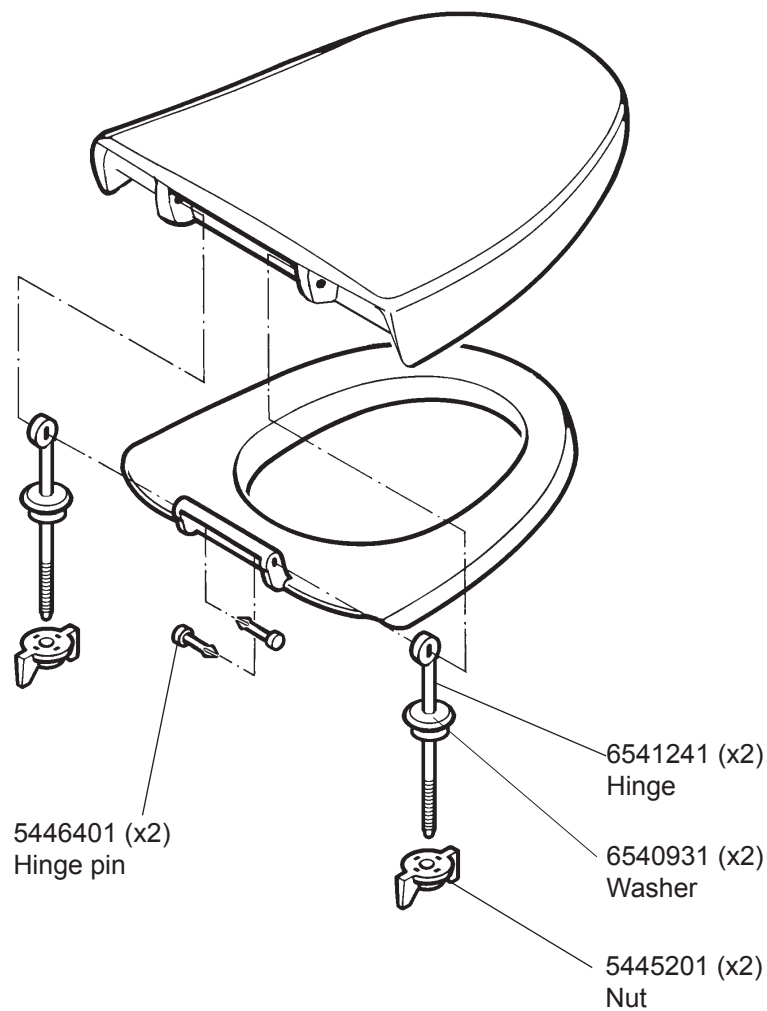
VACUUM TOILET

6541922 EVACINHUSH, SILENT SEAT AND COVER FOR EVAC 90 WALL AND FLOOR, EVAC 900 AND EVAC 910 FLOOR MODELS

P/N 5446101 is replaced by P/N 6541922.

! NOTE: "Seat and cover" sold as a single item.

! NOTE: When ordering: Seat and cover -state type and colour.

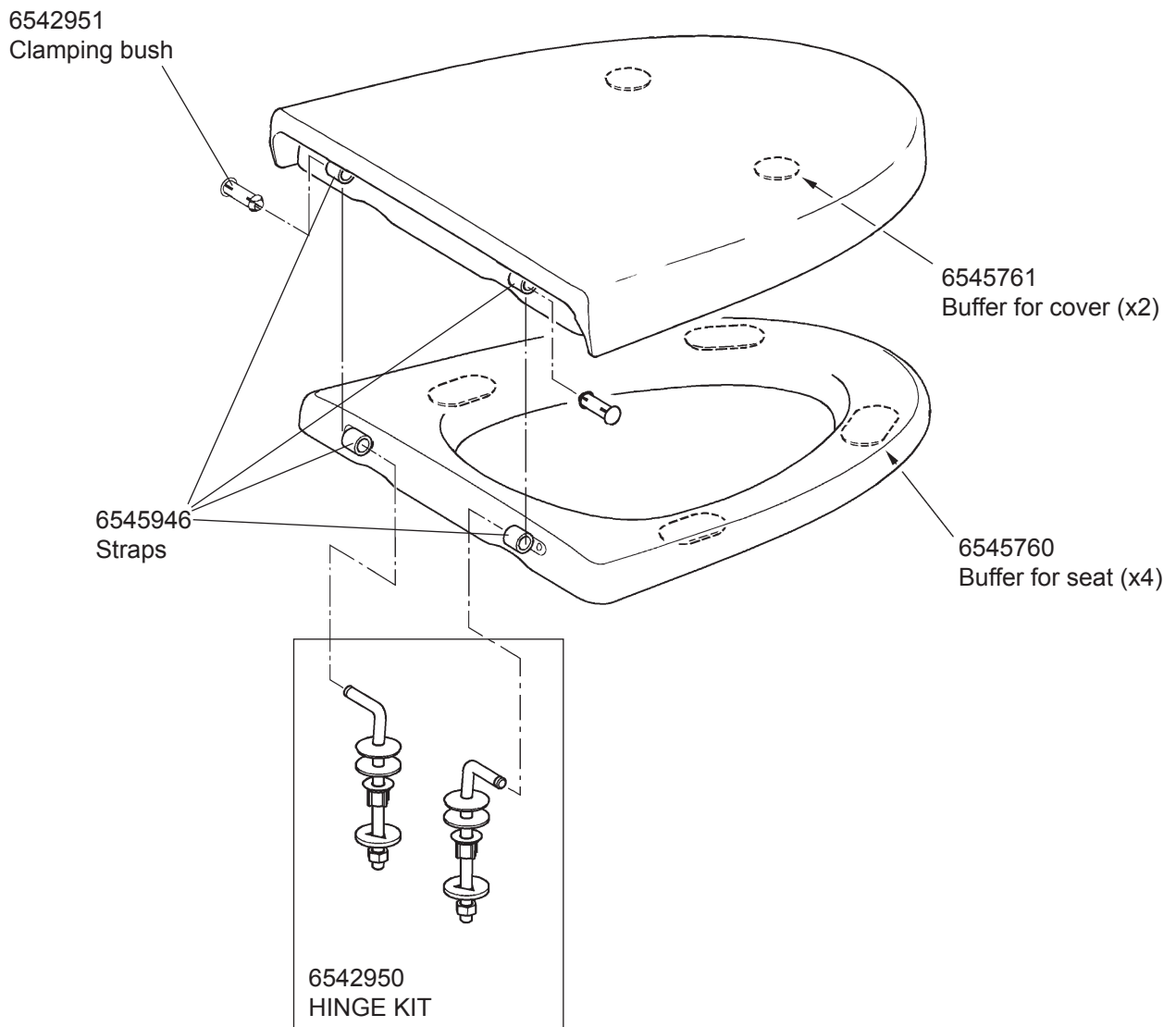


VACUUM TOILET

**6542928 PRESTIGE, SEAT AND COVER, EVACINHUSH FOR EVAC 900 AND 910 WALL MODEL TOILETS
(not sold as a single item)**

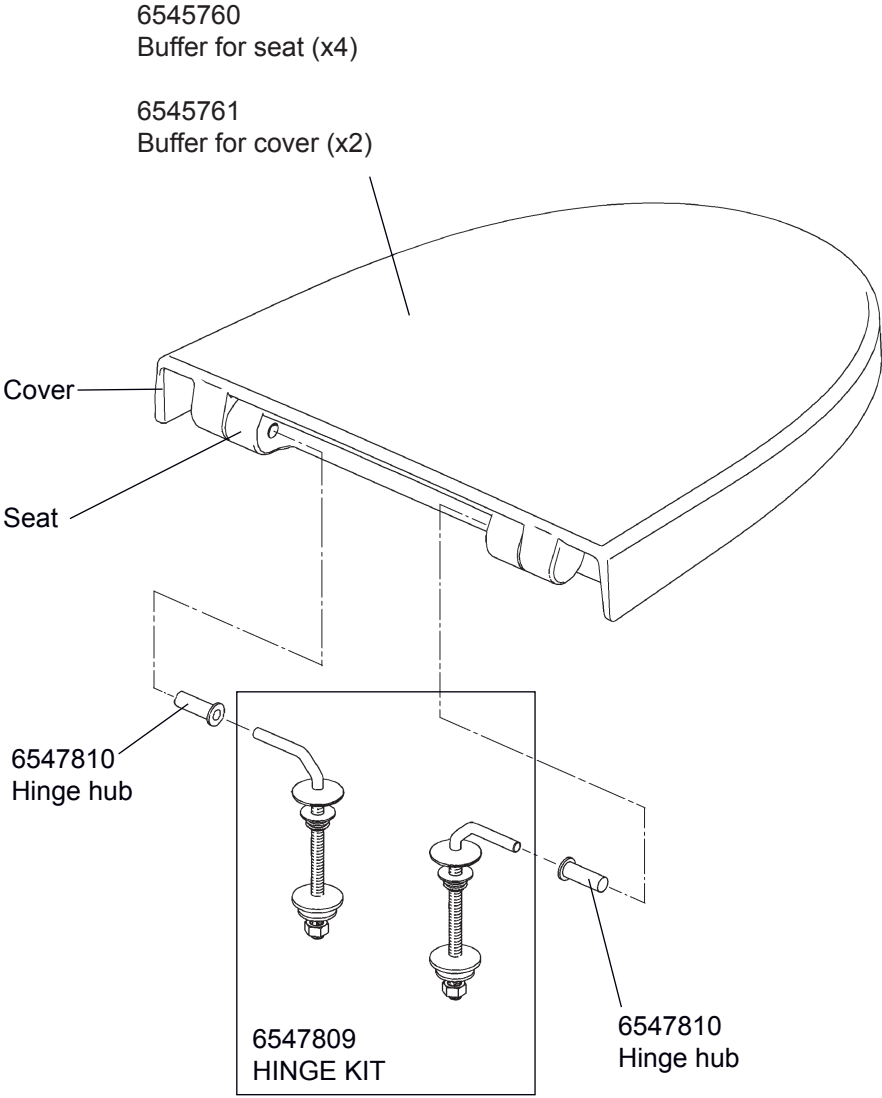
P/N 6542928 is replaced by P/N 6546818

Prestige seat and cover ful lls ANSI Z124.5 - 1997 (Plastic Toilet (Water closet) Seats) requirements.



VACUUM TOILET

6546818 SEAT AND COVER, PRESTIGE

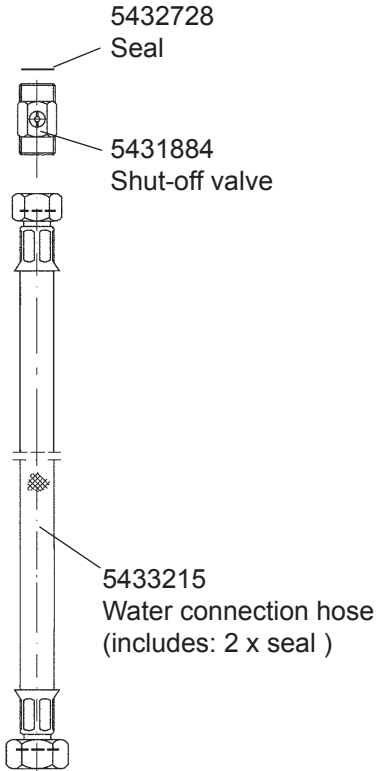
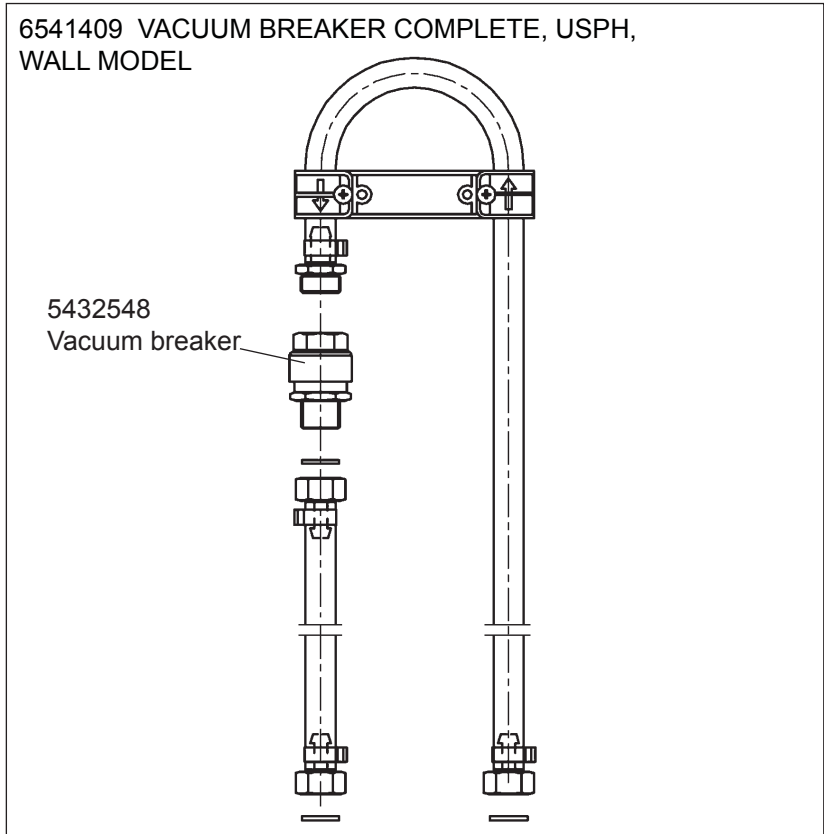


VACUUM TOILET

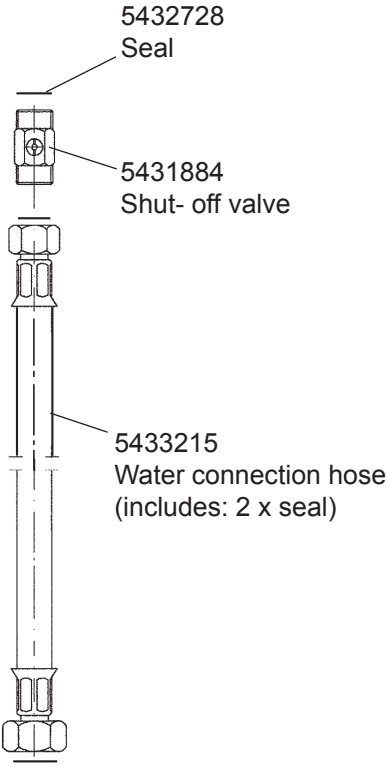
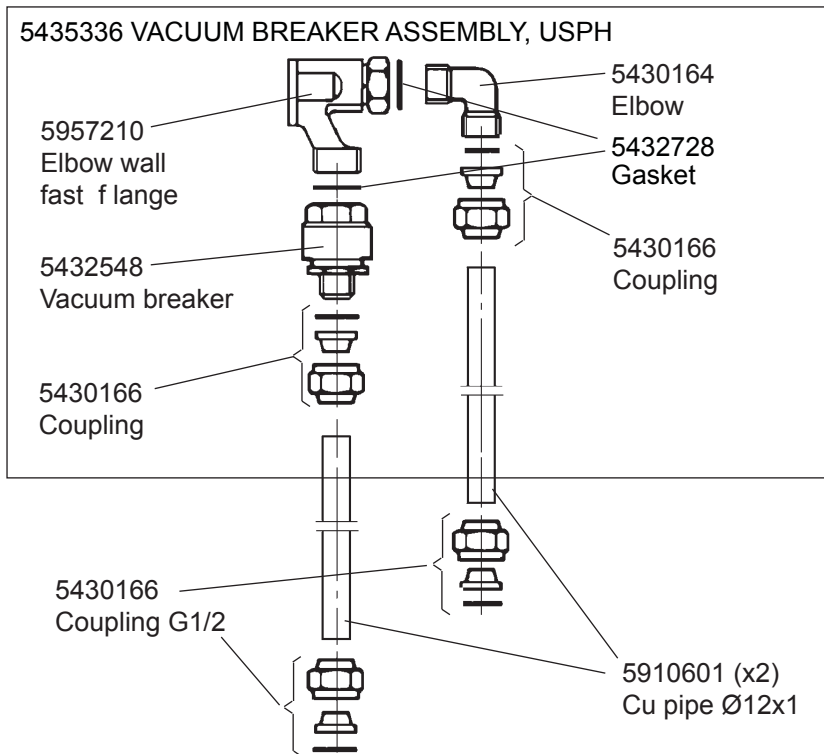
6541772 WATER SUPPLY KIT, USPH, FOR EVAC 900 AND EVAC 910 TOILETS, WALL MODELS

5980802 WATER SUPPLY KIT, USPH, FOR EVAC 90, 900, AND EVAC 910 TOILETS, FLOOR MODELS

P/N 6541772 Water supply kit, USPH



P/N 5980802 Water supply kit, USPH



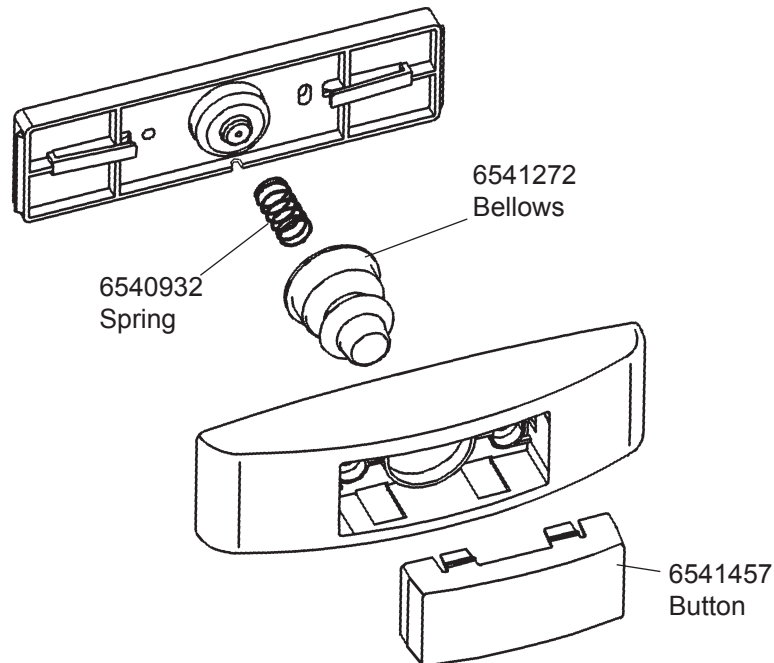
VACUUM TOILET

6541458 PNEUMATIC PUSH BUTTON, EVAC 900 AND EVAC 910, WALL MODELS

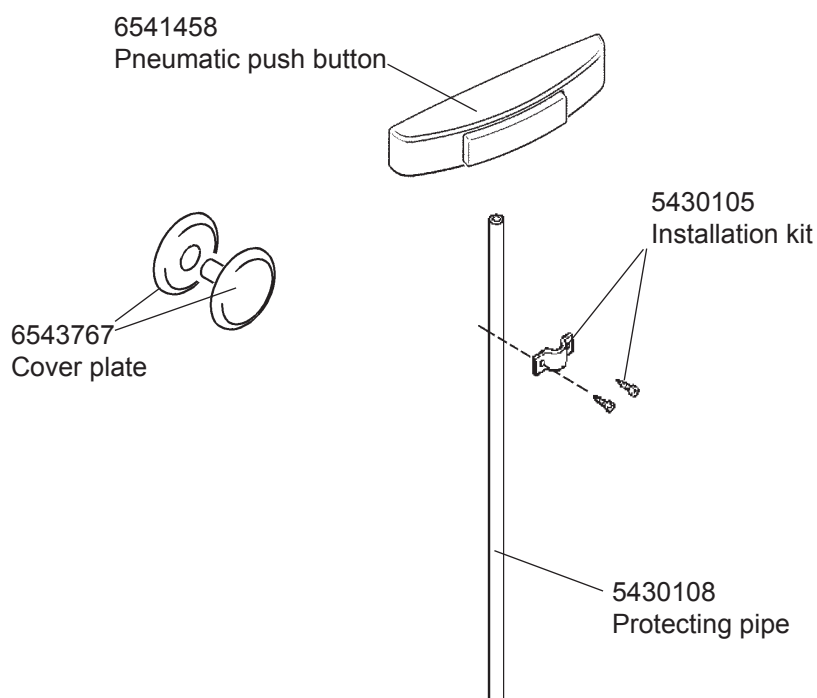
6541057 OPTIONAL PNEUMATIC PUSH BUTTON KIT, EVAC 900 AND EVAC 910, FLOOR MODELS

P/N 6541458 Pneumatic push button

P/N 6540917 is replaced by P/N 6541458

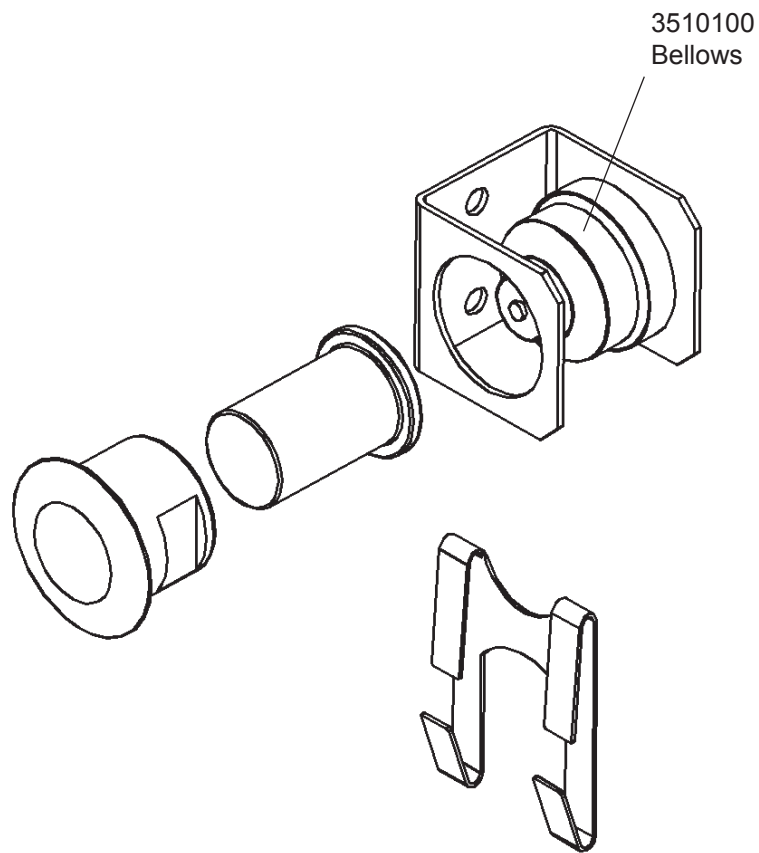


P/N 6541057 Optional pneumatic push button kit



VACUUM TOILET

5860303 PNEUMATIC PUSH BUTTON FOR EVAC 90, EVAC 900 AND EVAC 910 FLOOR MODELS



VACUUM TOILET

654496 PNEUMATIC PUSH BUTTON FOR EVAC 910 FLOOR MODELS

