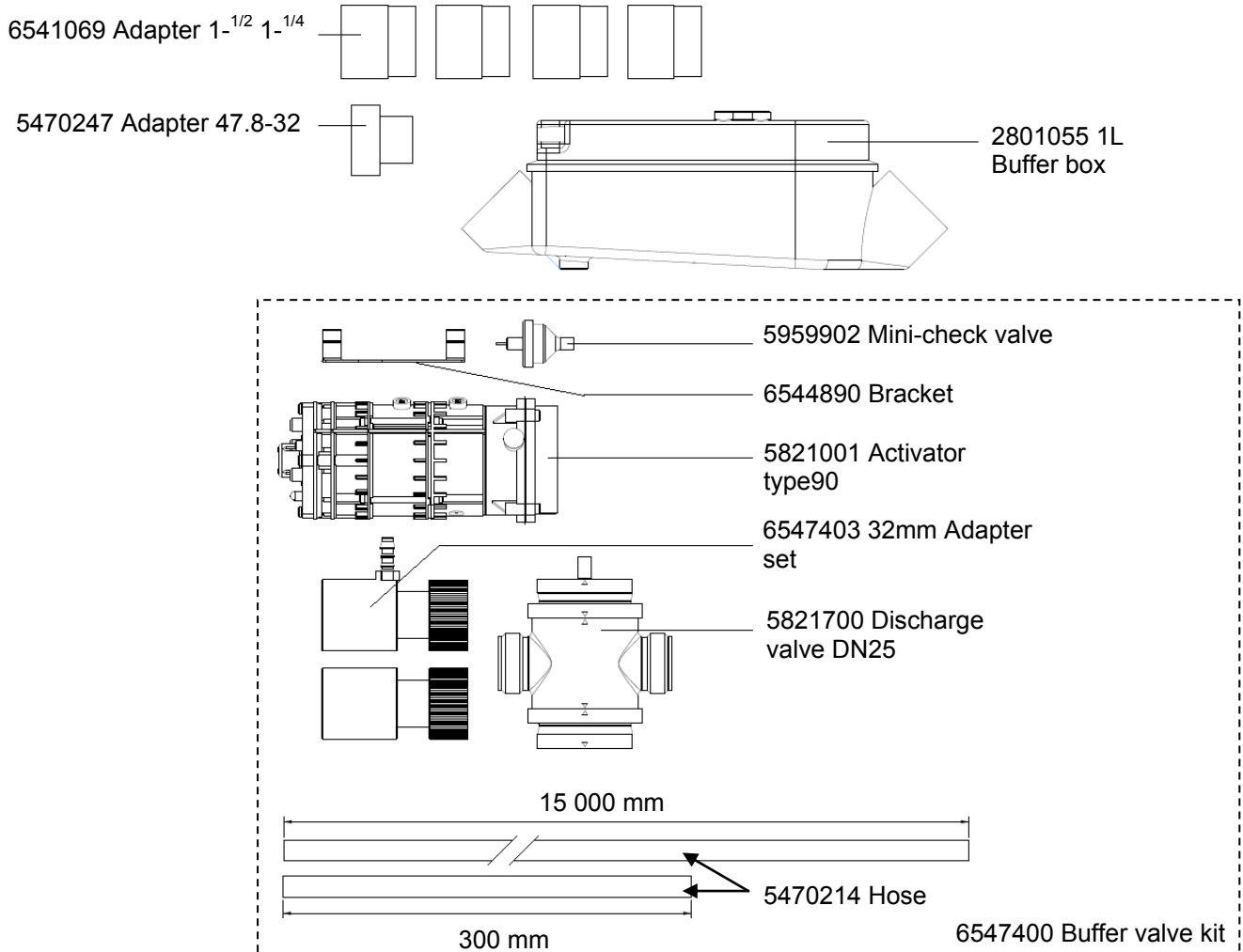


VACUUM INTERFACE UNITS

6546381 BUFFER BOX KIT



Material

Box: PVC
 Discharge valve: Polyacetal
 Activator: Rigid PVC and Polyacetal
 Mini-check valve: Acetal
 Flexible tubing: EPDM hose Ø 14 x 7mm

Operating data

Operating vacuum: -30... -60 kPa
 Minimum operating vacuum: -25 kPa
 Maximum discharge height: 6 m
 Activating volume: 1.5 L

Connections

Outlet / vacuum line and inlet / gravity line: 32 mm PVC

Capacity

-50 kPa : 0.8 L/sec; -30 kPa: 0.5 L/sec

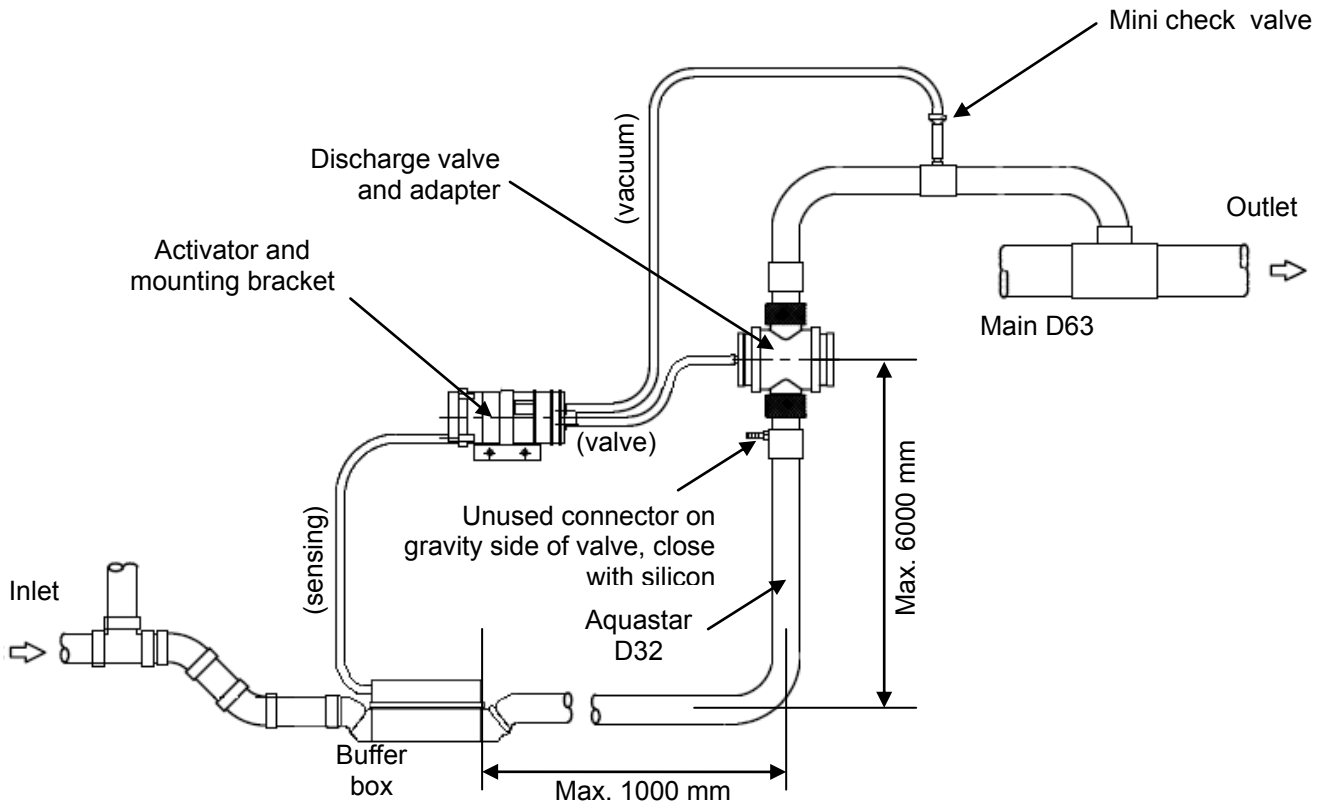
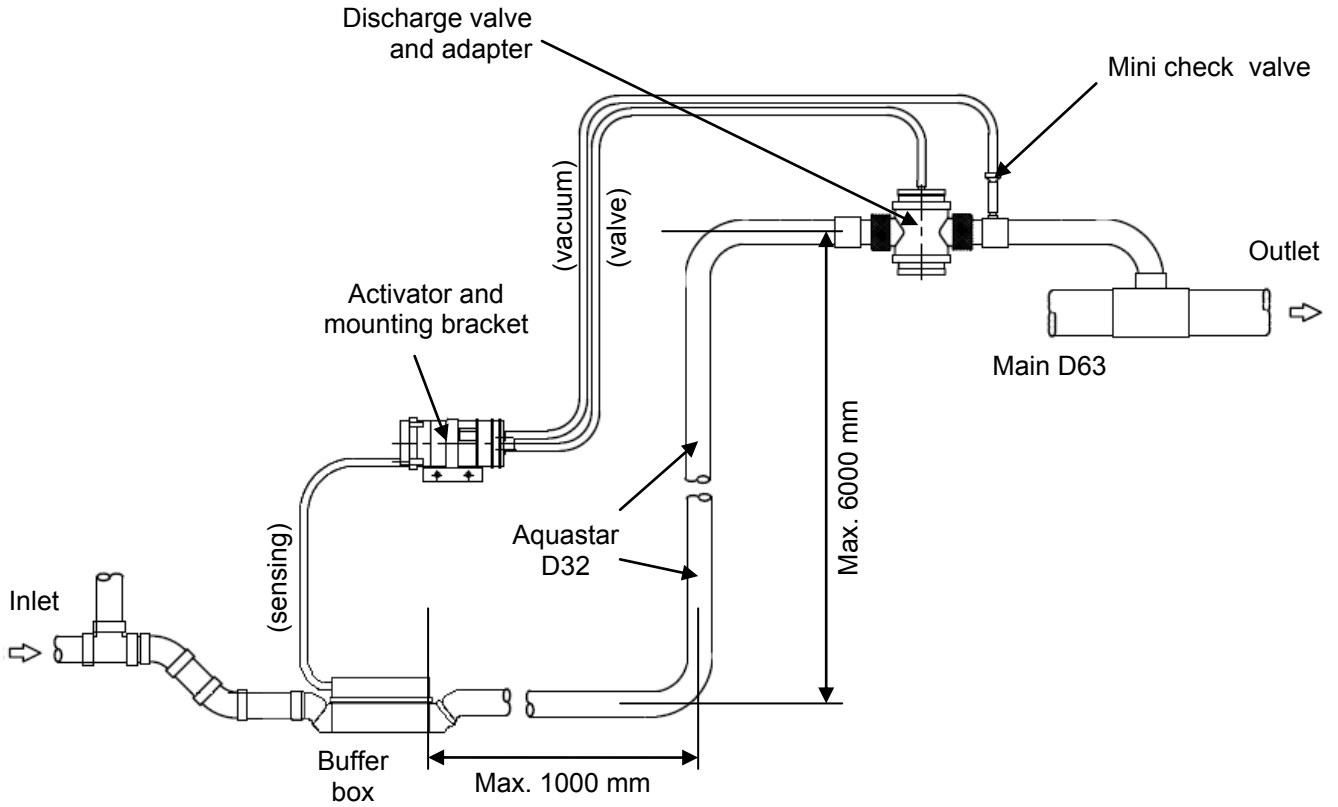
Shipping data

Net weight : 4.75 kg
 Shipping weight: 5 kg
 Shipping volume: 0.02 m³

VACUUM INTERFACE UNITS

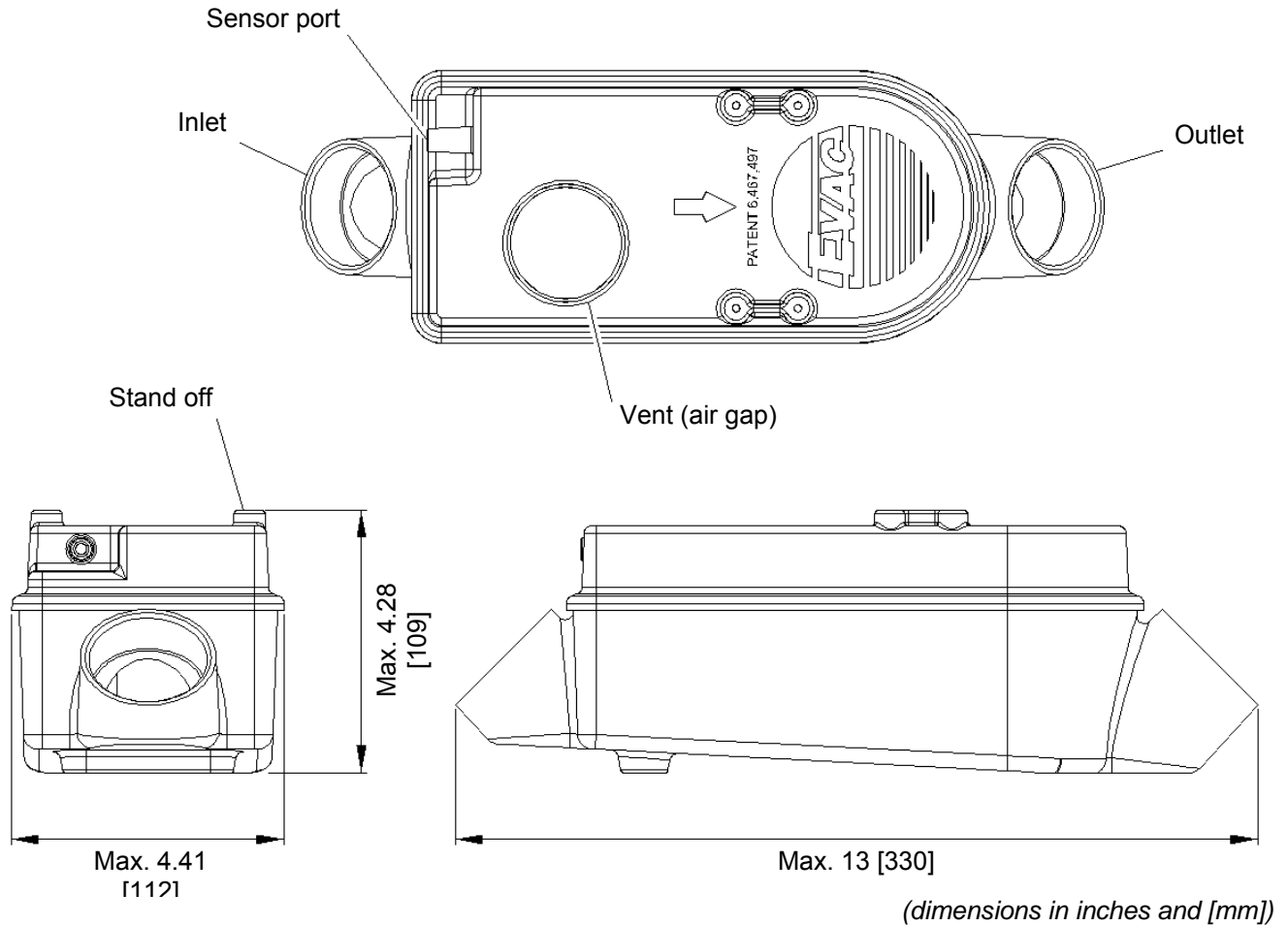
6541619 BUFFER BOX KIT
6501327 BUFFER BOX KIT

6546381 BUFFER BOX KIT



VACUUM INTERFACE UNITS

2801055 1L BUFFER BOX



Materials	PVC
Operating Data	Handles incoming flow rates up to 6.0 gpm
Capacity	0.26 gal (1 L)
Connections	Inlet and outlet: 1-1/2" PVC sockets
Installation	Installed on a level surface with wastewater piping sloping into the buffer box. Connect to piping with mechanical couplings.
Shipping Data	Net Weight: 1.25 lbs / 0.57 kg Shipping weight: 1.32 lbs/ 0.60 kg Shipping volume: 7 ft ³ /0.2 m ³